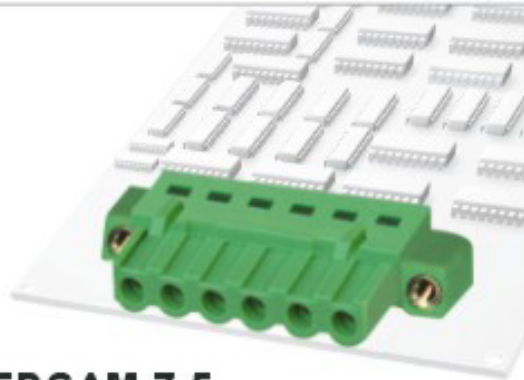


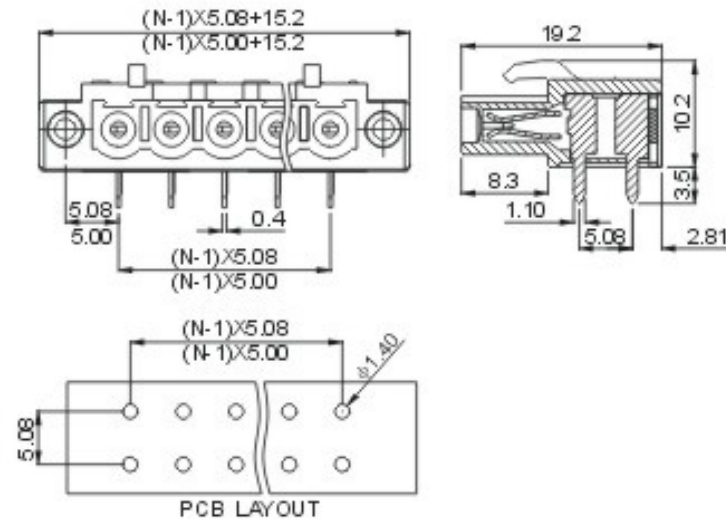


# DEGSON ELECTRONICS CO., LTD.

## Product Specification

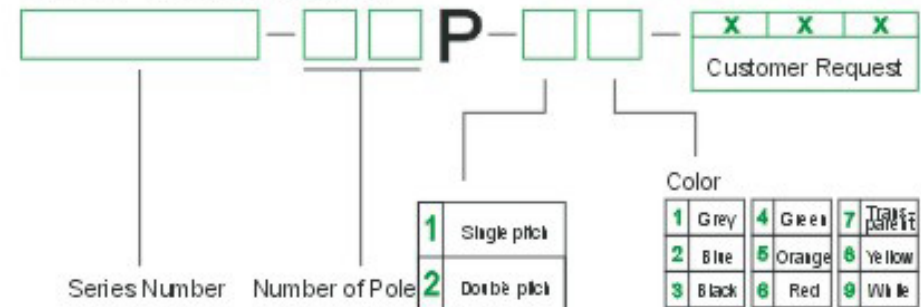


**2EDGAM-5.0 2EDGAM-7.5**  
**2EDGAM-5.08 2EDGAM-7.62**



<b>Approval</b>	<b>CE</b>	
<b>Electrical</b>		
Standard	UL	IEC
Rated voltage	300V	320V, 400V
Rated current	15A	20A
With standing voltage	AC 2500V/1 Min	
<b>Mechanical</b>		
Ambient temperature	-40°C ~ +105°C	
<b>Dimensions</b>		
Pitch	5.0mm (.197") 5.08mm (.200") 5.5mm (.215") 5.62mm (.221")	
Poles	2P-22P	2P-12P
<b>Material</b>		
Housing	PA66, UL94V-0	
Contact	Phosphor bronze, Tin plated	
Nut	M 2.5, Brass	

### HOW TO ORDER



	<b>DEGSON ELECTRONICS CO., LTD.</b>
	<b>NAME</b> <b>2EDGAM-5.0 2EDGAM-7.5</b> <b>2EDGAM-5.08 2EDGAM-7.62</b>