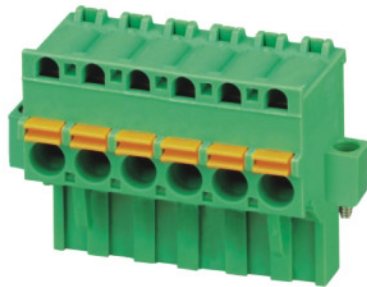


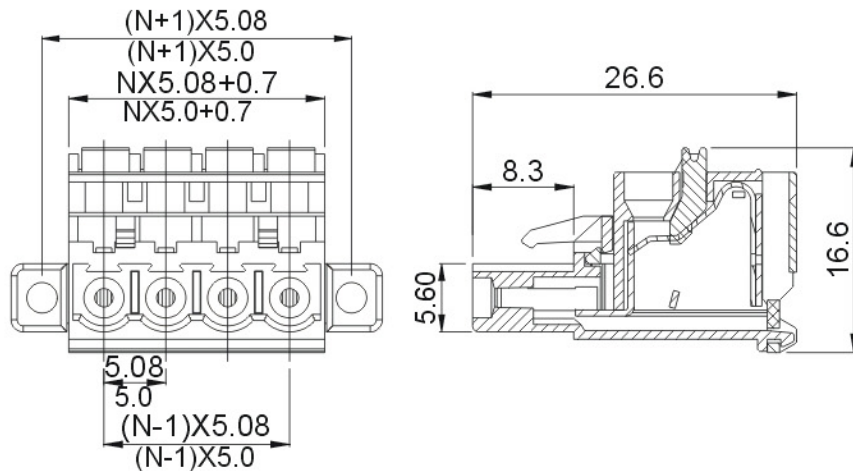


DEGSON ELECTRONICS CO., LTD.

Product Specification



2EDGKDAM-5.0
2EDGKDAM-5.08



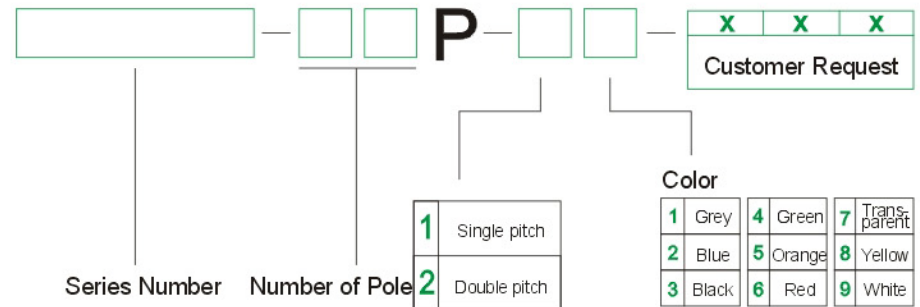
| | | |
|-----------------------|--------------|--------------------|
| Approval | | |
| Electrical | | |
| Standard | UL | IEC |
| Rated voltage | 300V | 320V |
| Rated current | 10A | 20A |
| Wire range | 26-12AWG | 2.5mm ² |
| With standing voltage | AC2500V/1Min | |

| | |
|---------------------|--------------|
| Mechanical | |
| Ambient temperature | -40°C~+105°C |
| Strip length | 10mm |

| | |
|-------------------|----------------------------|
| Dimensions | |
| Pitch | 5.0mm(.197") 5.08mm(.200") |
| Poles | 2P-16P |

| | |
|-----------------|-----------------|
| Material | |
| Housing | PA66, UL94V-0 |
| Contact | Phosphor bronze |
| Wire guard | Stainless steel |

HOW TO ORDER



| | |
|------|---|
| | DEGSON ELECTRONICS CO., LTD. NAME 2EDGKDAM-5.0 2EDGKDAM-5.08 |
|------|---|