



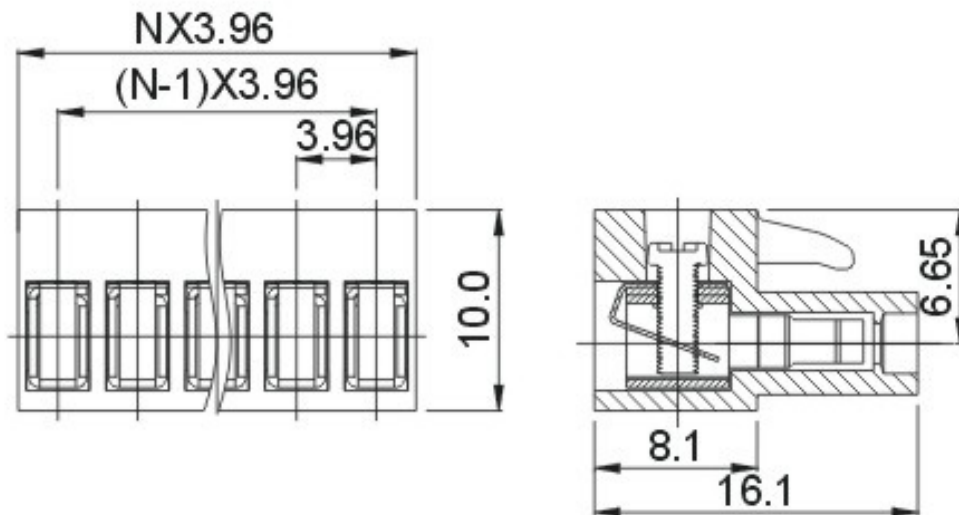
DEGSON ELECTRONICS CO., LTD.

Product Specification

CE



HT396K-3.96



Approval CE

Electrical	UL	IEC
Standard	UL	IEC
Rated voltage	150V	250V
Rated current	8A	15A
Wire range	28-14AWG	1.5mm ²
With standing voltage	AC2000V/1Min	

Mechanical

Torque	0.2Nm (1.7Lb-In.)	
Ambient temperature	-40°C ~ +105°C	
Strip length	7mm	

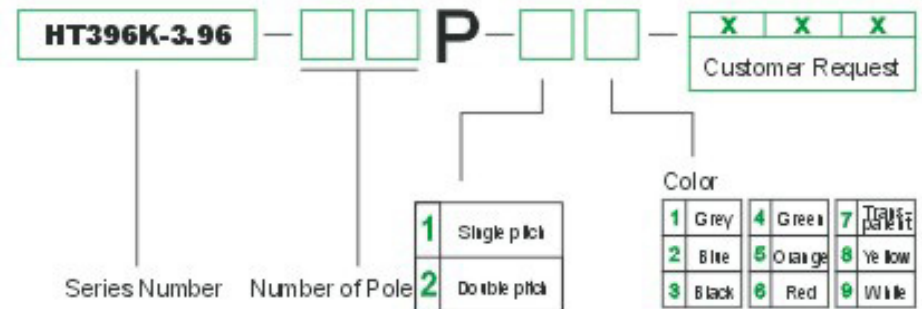
Dimensions

Pitch	3.96mm (.156")	
Poles	2P-24P	

Material

Housing	PA66, UL94V-0	
Screws	M2, steel, Cr ⁺ Znplated	
Contact	Brass	
Wire guard	Phosphor bronze, Ni plated	

HOW TO ORDER



	 DEGSON ELECTRONICS CO., LTD.
	NAME HT396K-3.96