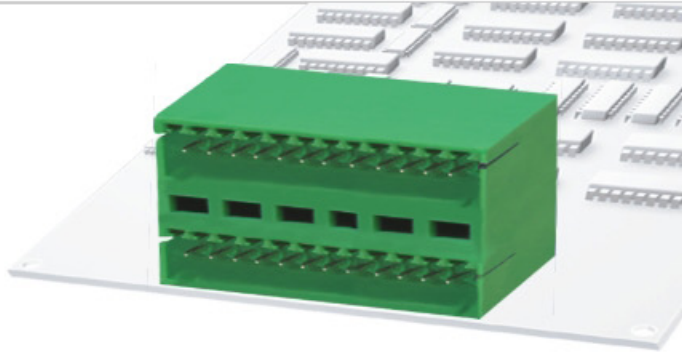


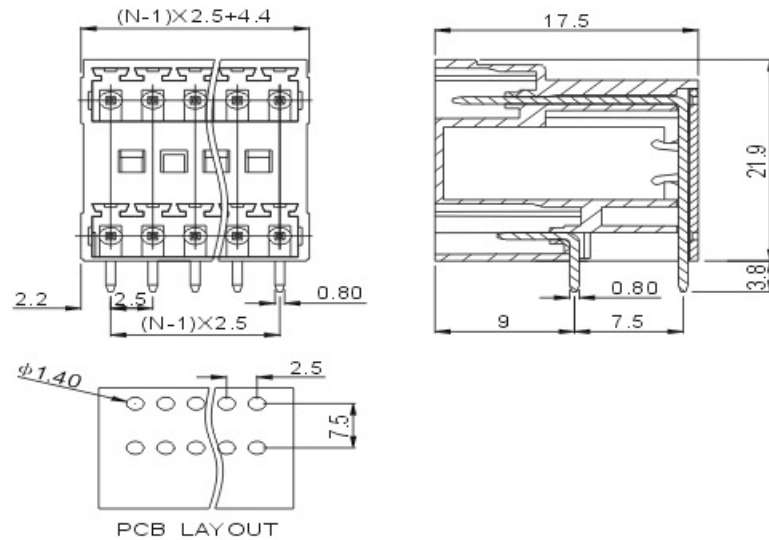


# DEGSON ELECTRONICS CO., LTD.

## Product Specification

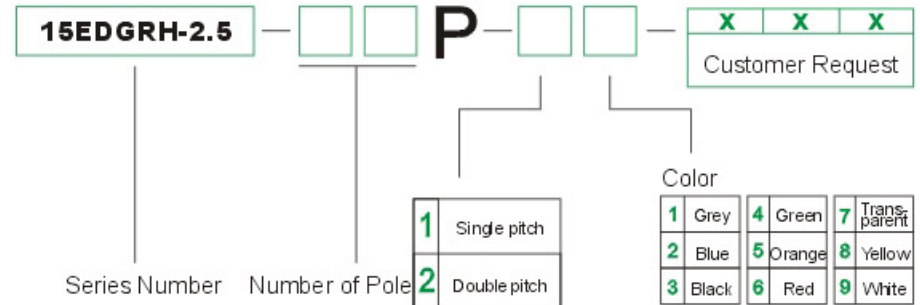


**15EDGRH-2.5**



<b>Approval</b>		
<b>Electrical</b>		
Standard	UL	IEC
Rated voltage	125V	130V
Rated current	4A	10A
With standing voltage	AC1250V/1Min	
<b>Mechanical</b>		
Ambient temperature	-40°C~+105°C	
<b>Dimensions</b>		
Pitch	2.5mm(.098")	
Poles	2*(2P-12P)	
<b>Material</b>		
Housing	PA66, UL94V-0	
Pin header	Brass, Tin plated	

### HOW TO ORDER



		<b>DEGSON ELECTRONICS CO., LTD.</b>
	NAME	<b>15EDGRH-2.5</b>