



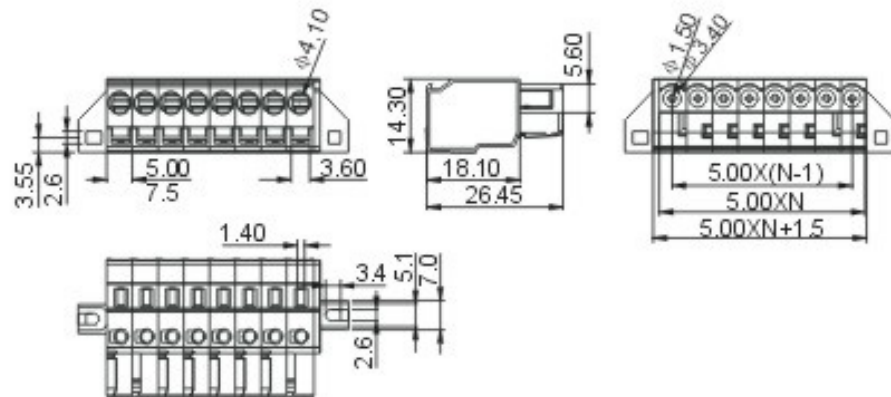
DEGSON ELECTRONICS CO., LTD.

Product Specification

CE



8EDGKMB-5.0
8EDGKMB-7.5



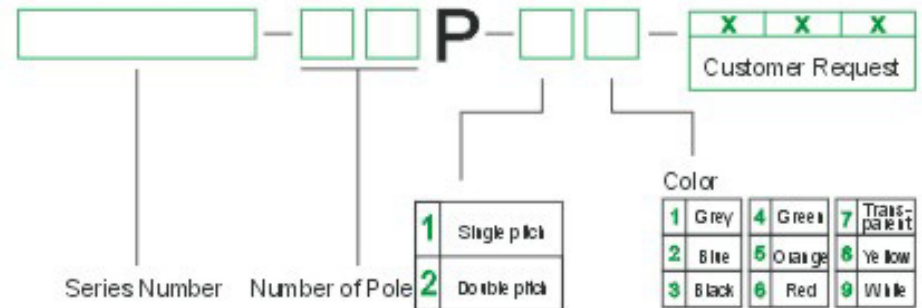
Approval	CE	
Electrical		
Standard	UL	IEC
Rated voltage	300V	320V,400V
Rated current	15A	20A
Wire range	22-14AWG	2.5mm ²
With standing voltage	AC2500V/1Min	

Mechanical		
Ambient temperature	-40°C ~ +105°C	
Strip length	8-9mm	

Dimensions		
Pitch	5.0mm (.197") / 7.5mm (.295")	
Poles	2P-24P	2P-12P

Material		
Housing	PA66, UL94V-0	
Contact	Phosphor bronze	
Wire guard	Stainless steel	

HOW TO ORDER



			DEGSON ELECTRONICS CO., LTD.
		NAME	8EDGKMB-5.0 8EDGKMB-7.5