

C8317 Series USB Connector (Nickel Shell)



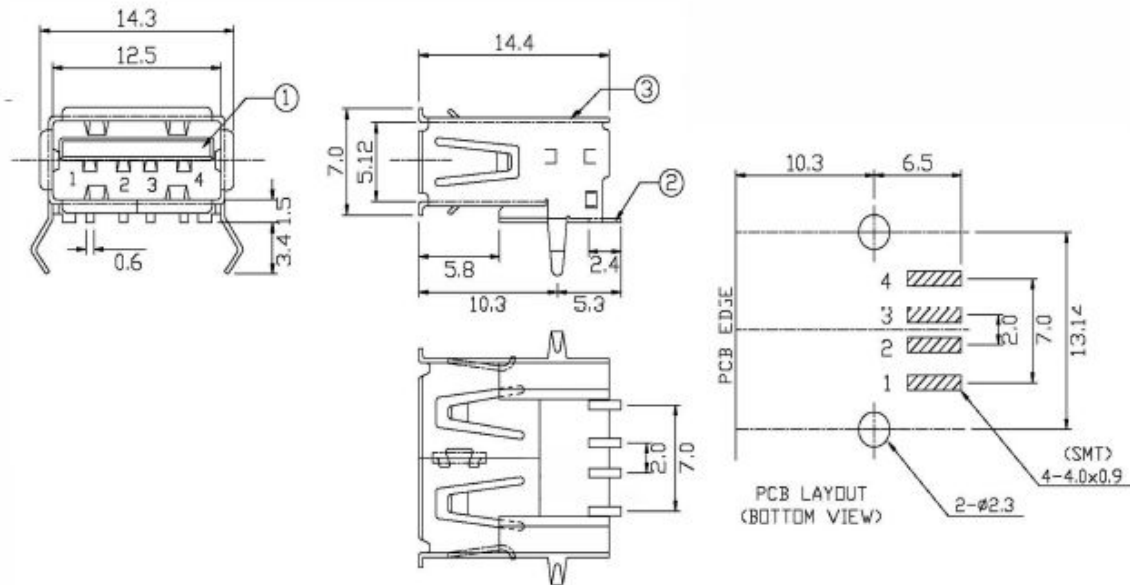
C	8317	—	04	A	F	H	S	B	0
1	2		3	4	5	6	7	8	9

- | | | | |
|--|--|---|---|
| 1. PRODUCTS:
C: Connector | 5. CONTACT TYPE:
M: Male
F: Female | 7. CONTACT PLATING:
T: Tin
S: Selective Gold
G: Gold Flash
D: Gold 30U"
I: Selective Gold 30U" | 8. INSULATOR COLOR:
B: Black
C: Beige
W: White |
| 2. SERIES NO.:
8317 | 6. BODY OPTION:
S: Straight
V: Vertical Right
Angle | | 9. FILL IT WITH "0" |
| 3. CONTACT NO.:
04, 08, 12 | | | |
| 4. FUNCTION:
A: A Type
B: B Type
C: A Type Dual Port
D: A Type Triple Port | H: Horizontal Right
Angle (Normal Type)
D: S.M.T. | | |

1

C8317-04AFDXB0R

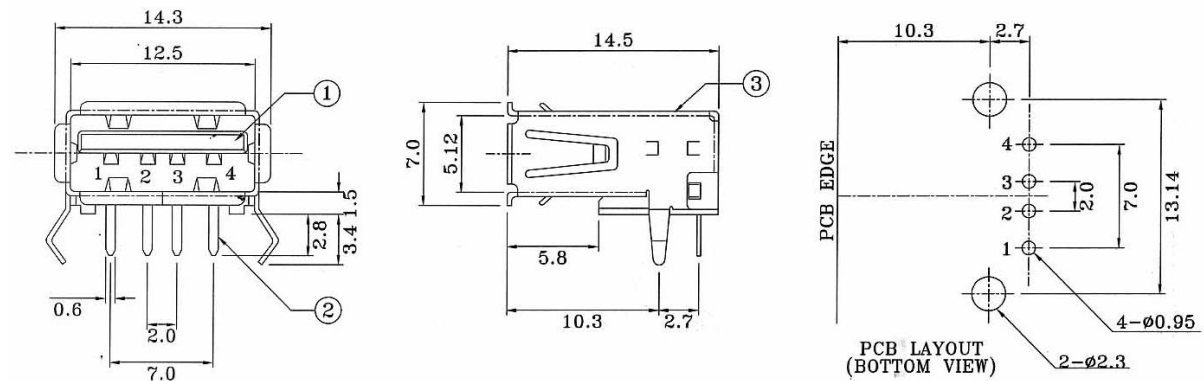
USB A TYPE 4P FEMALE SMT NICKEL SHELL BLACK COLOR



ELECTRONIC
COMPONENTS

2

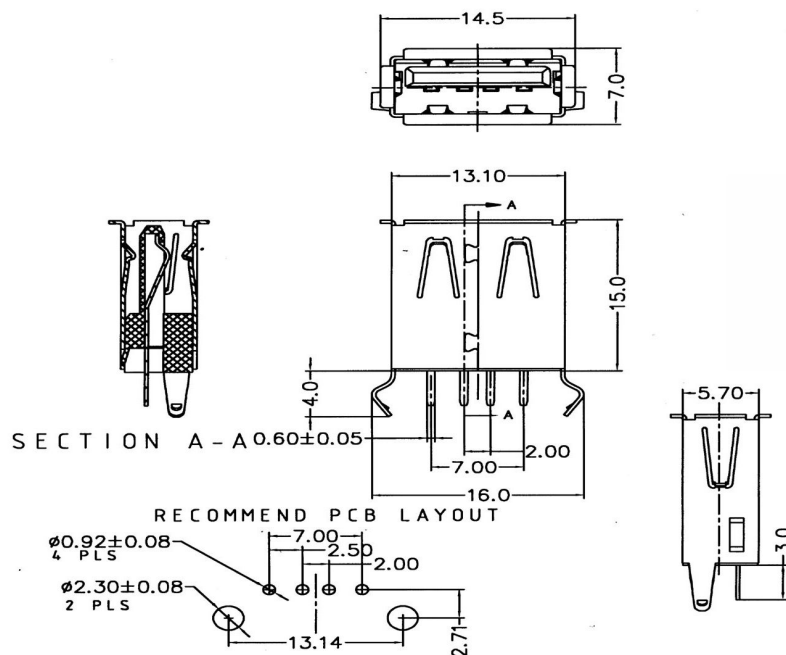
C8317-04AFHXX0R
USB A TYPE 4P FEMALE 90°



NO.	NAME	MATERIAL	FINISH	REMARK	Q'TY
1	HOUSING	P.B.T. G.F.	WHITE		1
2	PIN TERM.	PHOS. BRONZE T:0.25	GOLD/TIN PLATED	Gold:1~3 μ m ; Ni:40~60 μ m ; TIN:120 μ m (100% pure Tin of lead free plating)	4
3	SHELL	BRASS T:0.3	NICKEL PLATED	Ni:2~3 μ	1

3

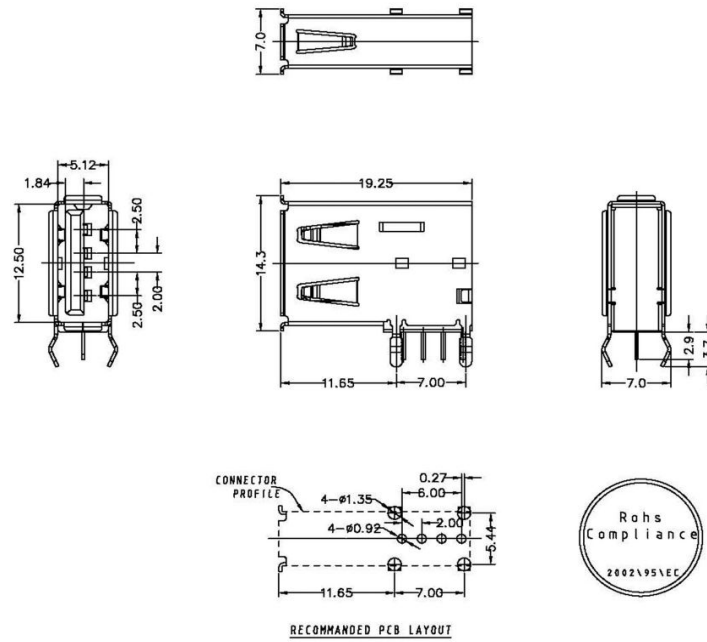
C8317-04AFSSW0R
USB A TYPE DIP TYPE 4P FEMAL 180° NICKEL SHELL



ELECTRONIC COMPONENTS

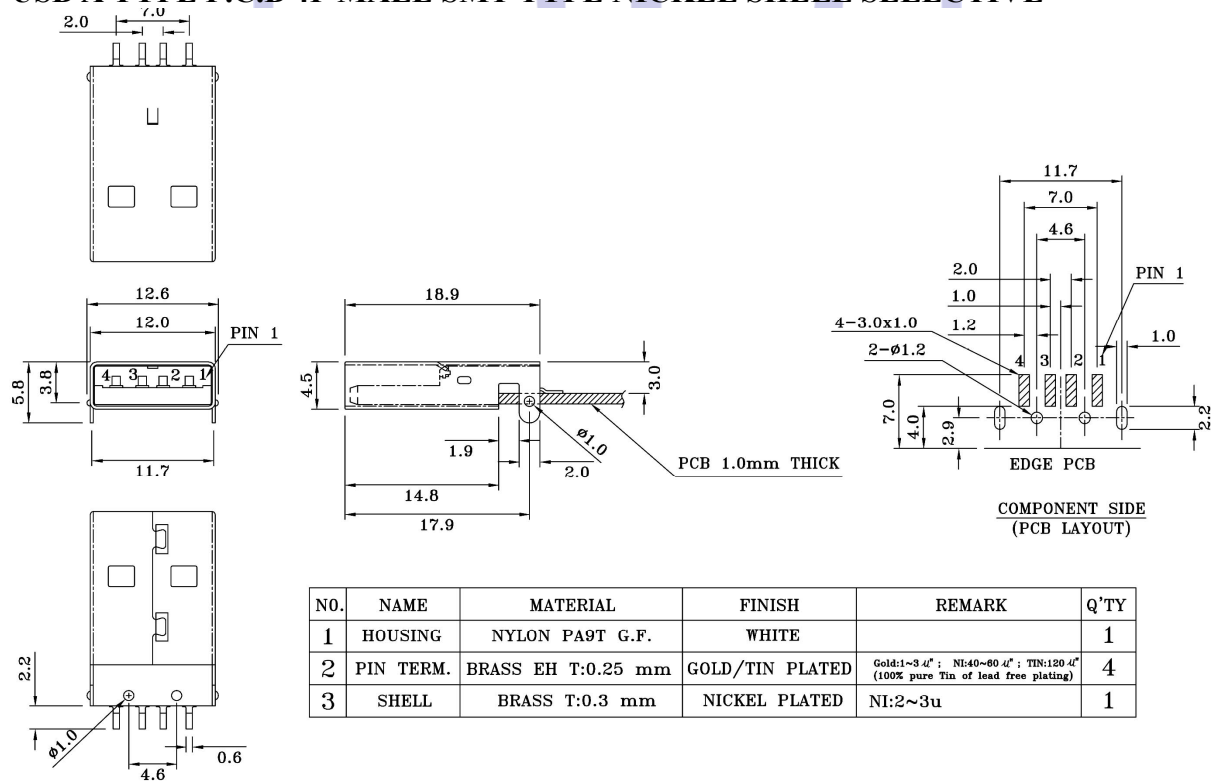
4

C8317-04AFVXX0R
USB A TYPE DIP TYPE 4P FEMALE 90° VERTICAL



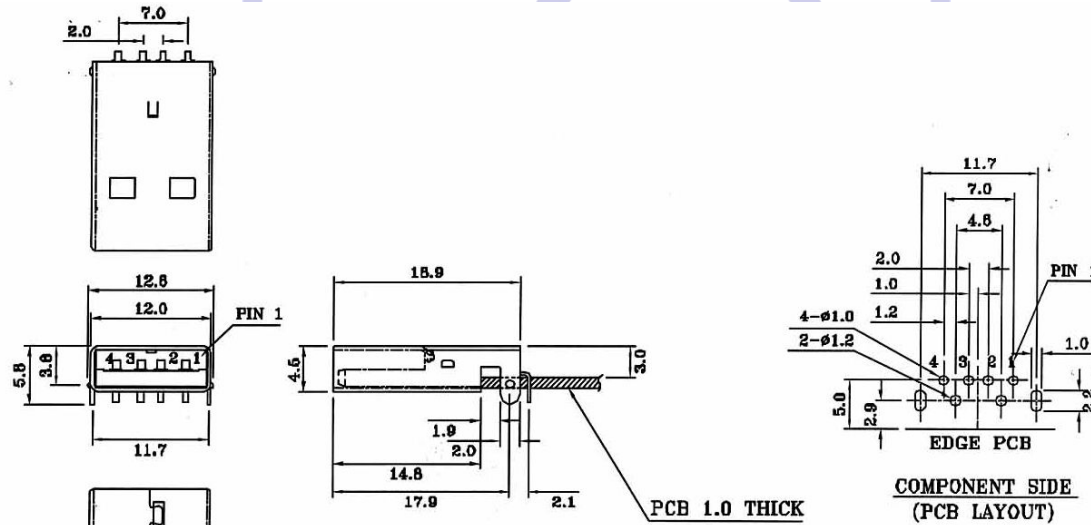
5

C8317-04AMDSW0R
USB A TYPE P.C.B 4P MALE SMT TYPE NICKEL SHELL SELECTIVE



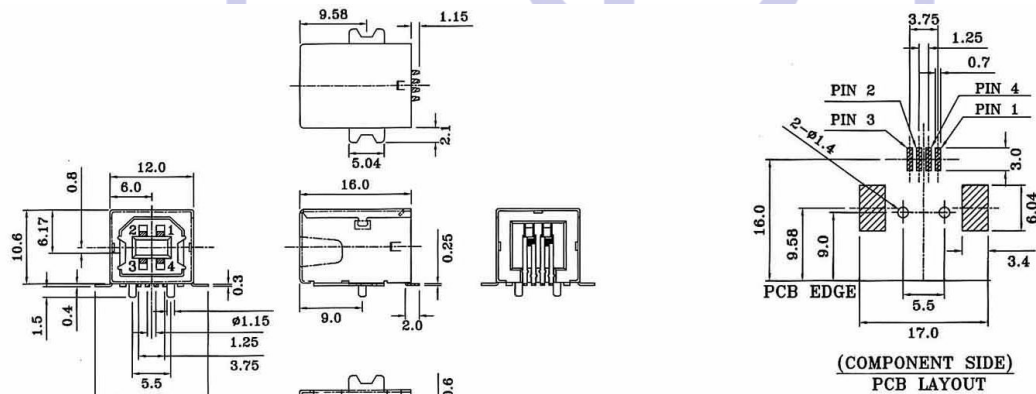
ELECTRONIC

6
C8317-04AMHSX0R
USB A TYPE MALE 90°



NO.	NAME	MATERIAL	FINISH	REMARK	Q'TY
1	HOUSING	NYLON PA9T G.F.	WHITE		1
2	PIN TERM.	BRASS EH T:0.25 mm	GOLD/TIN PLATED	Gold:80A ² ; 30-60-90A ² ; TN:120A ² (100% pure 2µ of least 2µm plating)	4
3	SHELL	BRASS T:0.3 mm	NICKEL PLATED	Ni:2~3µ	1

7
C8317-04BFDXX0R
USB B TYPE P.C.B 90° SMT



NO.	NAME	MATERIAL	FINISH	REMARK	Q'TY
1	HOUSING	NYLON PA9T G.F.	BLACK OR WHITE	endure under temperature 260° c 5sec	1
2	PIN TERM.	PHOS. BRONZE T:0.25	GOLD/TIN PLATED	Ni:1.5µ; TIN:3µ; GOLD:1~3µ	4
3	SHELL	BRASS T:0.3	NICKEL PLATED	Ni:2~3µ	1

ORDER INFORMATION

C8317-

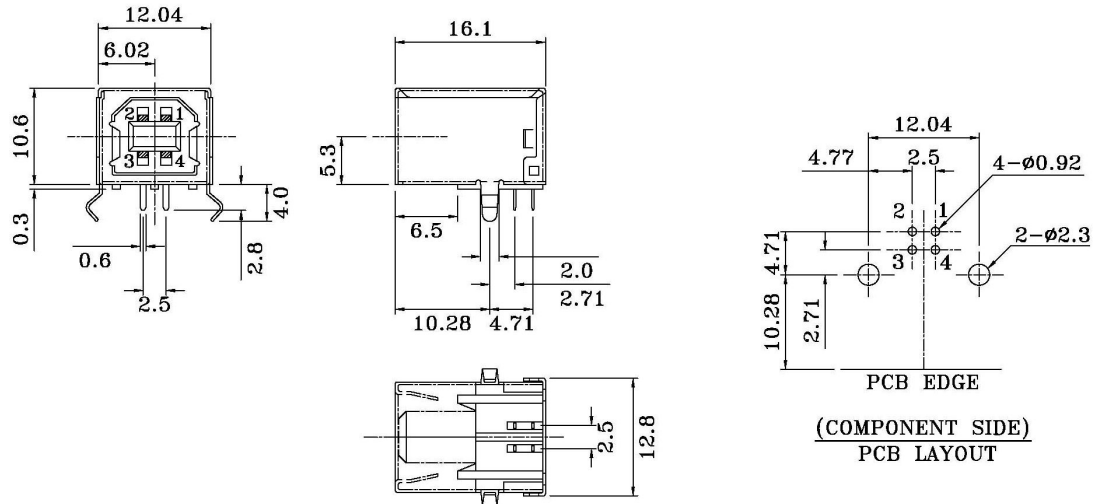
04, 08, 12 B: B TYPE F: FEMALE D: SMT T: Tin S: SELECTIVE G: GOLD FLASH D: GOLD 30µ² B: BLACK C: BEIGE V: WHITE FILL IT WITH '0' RoHS Compliant

ELECTRONIC COMPONENTS

8

C8317-04BFHSX0R

USB B TYPE DIP TYPE 4P FEMALE 90° HORIZONTAL NICKEL SHELL



NO.	NAME	MATERIAL	FINISH	REMARK	Q'TY
1	HOUSING	P.B.T. G.F.	BLACK		1
2	PIN TERM.	PHOS. BRONZE T:0.25	GOLD/TIN PLATED	Gold:~3 4"; Ni:40~60 4"; TIN:120 4" (100% pure Tin of lead free plating)	4
3	SHELL	BRASS T:0.3	NICKEL PLATED	Ni:2~3u	1

9

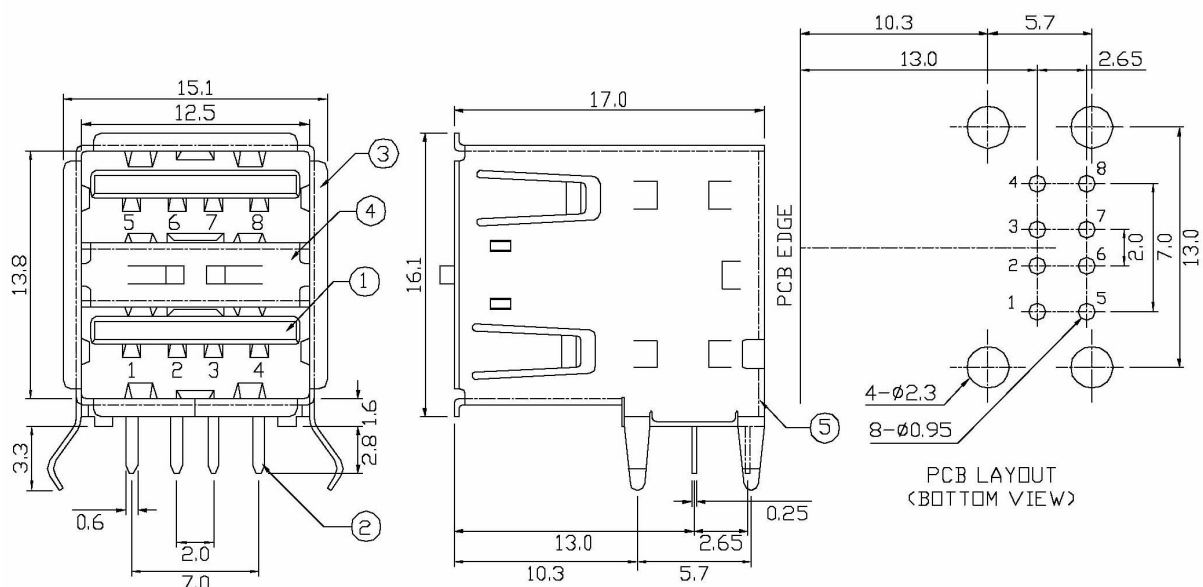
C8317-04BFSSB0R

USB B TYPE DIP TYPE 4P FEMALE 180° NICKEL SHELL

10

C8317-08CFHSB0R

USB A TYPE DIP TYPE 8P FEMALE 90° HORIZONTAL TIN SHELL W/ 2 TABS



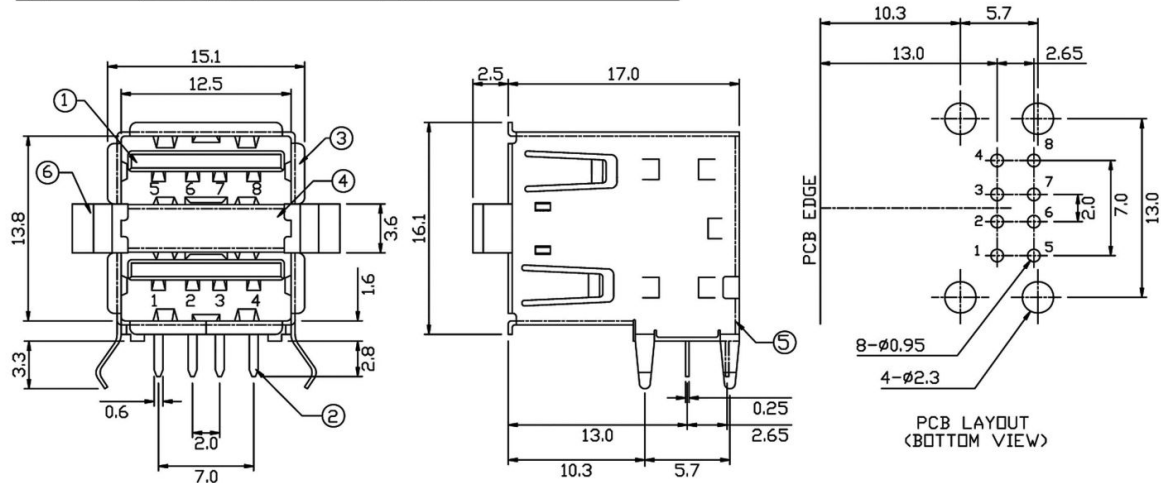
ELECTRONIC

11

C8317-08CFHXB2R

USB A TYPE DIP TYPE 8P FEMAL 90° HORIZONTAL TIN SHELL

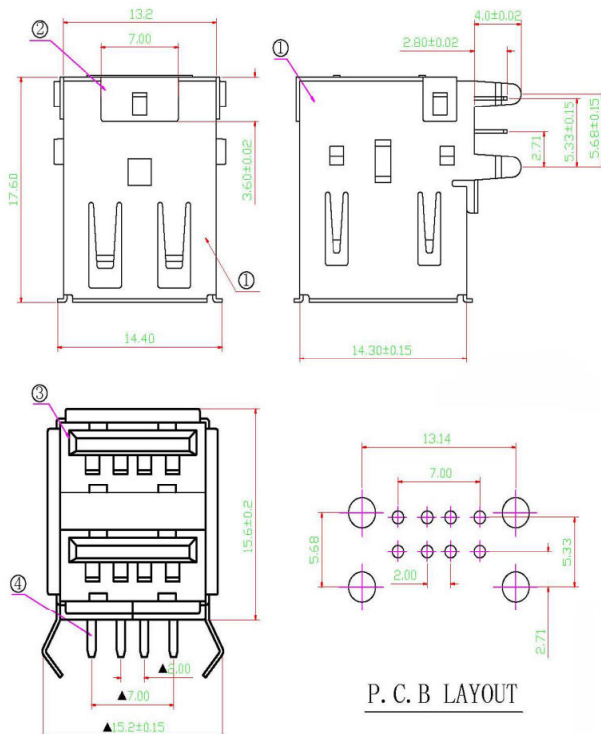
NO.	NAME	MATERIAL	FINISH	Q'TY/REMARK
1	HOUSING	P.B.T.	BLACK	1
2	PIN TERM.	PHOS. BRONZE	GOLD-TIN PLATED	8 Gold:30u" ; Ni:40~60u" ; TIN:120u" (100% pure Tin of lead free plating)
3	SHELL	BRASS,0.3mm	NICKEL PLATED	1 Ni:80~120u"
4	SHELL	BRASS,0.3mm	NICKEL PLATED	1 Ni:80~120u"
5	SHELL	SPCC,0.3mm	NICKEL PLATED	1 Ni:80~120u"
6	GROUND SPRING	STAINLESS,0.1mm		1



12

C8317-08CFHXX1R

USB A TYPE DIP TYPE 8P FEMALE 90° HORIZONTAL W/O EMI TABS TIN SHELL



NOTE:

1. SHELL
MATERIAL:BRASS T=0.30mm
2. COVER
MATERIAL:SPCC T=0.30mm
3. HOUSING
MATERIAL:P. B. T + GF30%
4. CONTACT
MATERIAL:PHOS BRONZE T=0.25mm
PLATING: GOLD/TIN PLATED
DIMENSIONS MARKED "▲" TO
CHECKED BY Q. C & IPQC

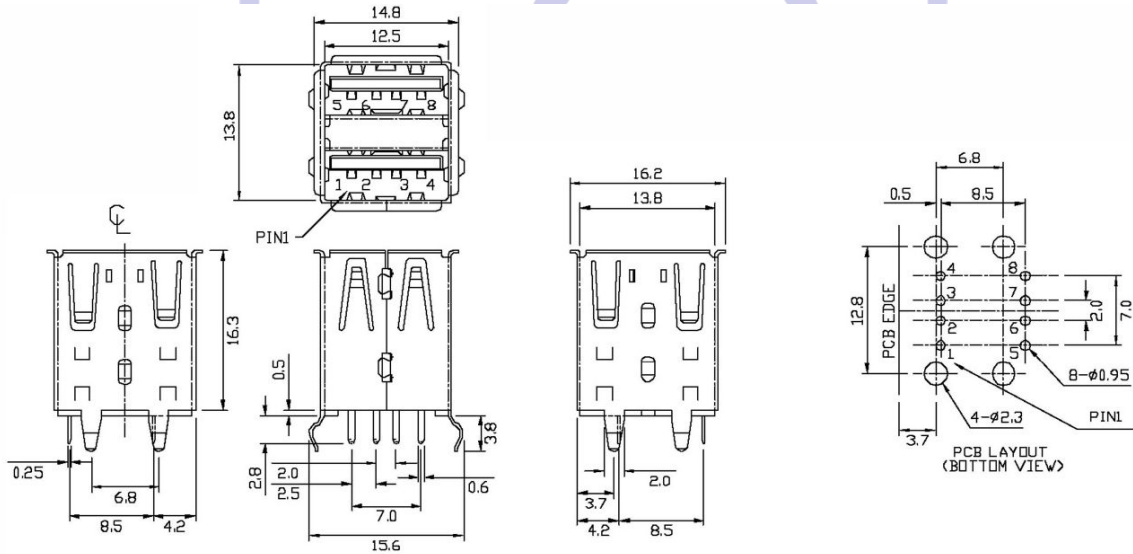
Grounding Strip	1	Stainless Steel	T=0.30±0.02mm	Nickel Plated		
3 SHELL	1	Brass	T=0.30±0.02mm	Nickel plated		
2 CONTACT	8	Brass	T=0.25±0.02mm	Gold/Tin plated		
1 HOUSING	1	PBT+30%GF		Black/Blue/White		
No.	Part Name	Q'ty	Material	Thickness	Finish	Notes

ELECTRONIC

13

C8317-08CFSXX0R

USB A TYPE DIP TYPE 8P FEMALE 180° NICKEL SHELL

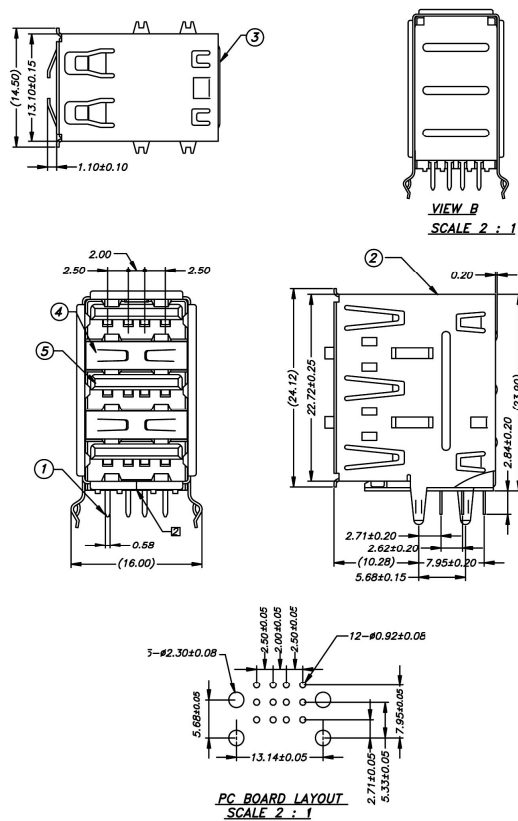


NO.	NAME	MATERIAL	FINISH	Q'TY	REMARK
1	HOUSING	PBT G.F.	WHITE	1	
2	PIN TERM.	PHOS. BRONZE	GOLD-TIN PLATED	8	Gold-3u", Ni40-60u", TiNi20u" 99.9% pure Tin of lead free plating
3	SHELL	BRASS,0.3mm	NICKEL PLATED	1	Ni100~120u"
4	SHELL	BRASS,0.3mm	NICKEL PLATED	1	Ni100~120u"
5	SPEACER	PC	NATURAL	2	

14

C8317-12DFHXX0R

USB A TYPE DIP TYPE 12P FEMALE 90° HORIZONTAL



1.TOLERANCE:±0.30mm,±3'.

2] GAP.0.25mm(Max)

TABLE 1:

ITEM	DESC.	MATERIAL	REMARKS
1	TERMINAL	COPPER ALLOY (t=0.25)	CONTACT AREA :SEE NC SOLDER AREA :Sn 100u UNDER-PLATING :Ni 50
2	FRONT SHELL	COPPER ALLOY (t=0.30)	OVER-PLATING :Ni 40u
3	REAR SHELL	STEEL (t=0.30)	OVER-PLATING :Ni 100
4	SPRING	COPPER ALLOY (t=0.30)	OVER-PLATING :Ni 100
5	HOUSING	HIGH TEMPERATURE THERMOPLASTICS	ØXG.F.,UL94V-0; COLOR :SEE NOTE