

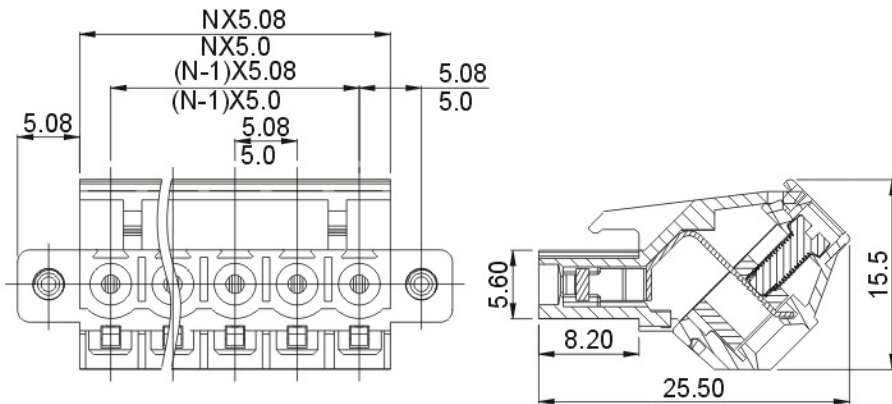


DEGSON ELECTRONICS CO., LTD.

Product Specification



2EDGKLM-5.0
2EDGKLM-5.08

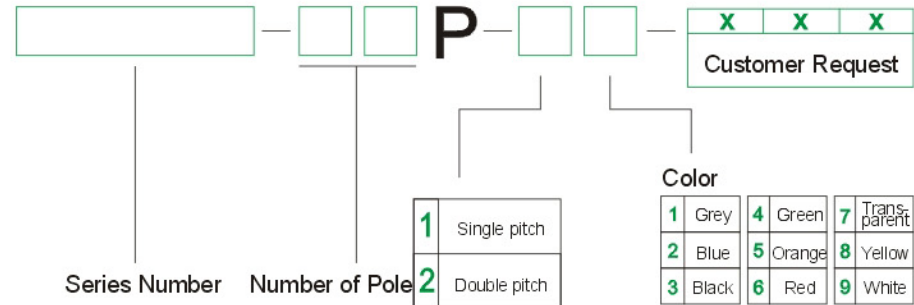


Approval		
Electrical		
Standard	UL	IEC
Rated voltage	300V	320V
Rated current	10A	20A
Wire range	24-12AWG	2.5mm ²
With standing voltage	AC2500V/1Min	

Mechanical	
Torque	0.4N.m(3.5Lb-In.)
Ambient temperature	-40°C~+105°C
Strip length	7mm
Dimensions	
Pitch	5.0mm(.197") 5.08mm(.200")
Poles	2P-22P

Material	
Housing	PA66, UL94V-0
Screws	M2.5, steel, Cr ³⁺ Zn plated
Contact	Phosphor bronze
Cage	Brass, Ni plated

HOW TO ORDER



 MM (INCH)	 DEGSON ELECTRONICS CO., LTD.
 THIRD ANGLE PROJECTION	NAME 2EDGKLM-5.0 2EDGKLM-5.08