

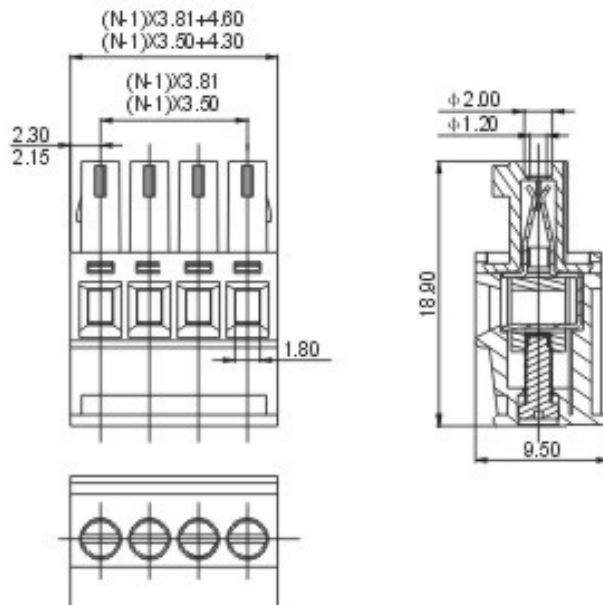


DEGSON ELECTRONICS CO., LTD.

Product Specification



15EDGKA-3.5
15EDGKA-3.81



Approval



Electrical

Standard	UL	IEC
Rated voltage	300V	250V
Rated current	8A	7A
Wire range	28-16AWG	0.5-1.5mm ²
With standing voltage	AC2000V/1Min	

Mechanical

Torque	0.2Nm (1.7Lb-In.)
Ambient temperature	-30°C ~ +120°C
Strip length	7mm

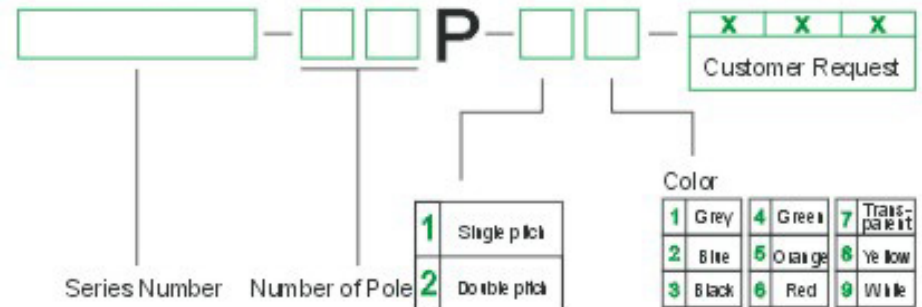
Dimensions

Pitch	3.5mm (.138") / 3.81mm (.150")
Poles	2P-24P

Material

Housing	PBT, UL94V-0
Screws	M2, steel, Cr ^{III} Zn plated
Contact	Phosphor bronze
Cage	Brass, Ni plated

HOW TO ORDER



DEGSON ELECTRONICS CO., LTD.

NAME

15EDGKA-3.5
15EDGKA-3.81

