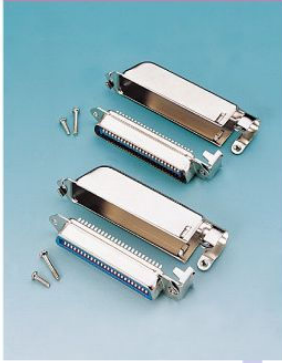


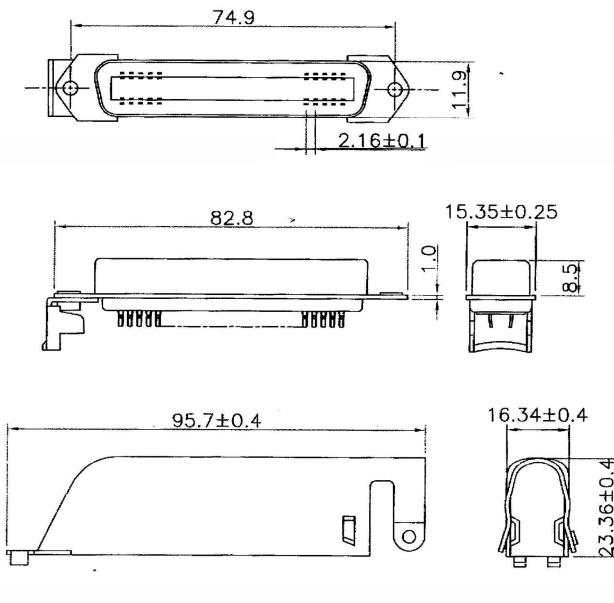
C0715 Series Centronic Communication Type Connectors



C	0715	—	36	F	P	S	L	0	0
1	2		3	4	5	6	7	8	9

1. PRODUCTS: C: Connector	5. COVER OPTION: M: Metal Cover P: Black Plastic Cover	7. INSULATOR COLOR: B: Black L: Blue	8. FILL IT WITH "0"
2. SERIES NO.: 0715	6. CONTACT PLATING: S: Selective Gold G: Gold Flash C: Gold 15U" D: Gold 30U"		9. FILL IT WITH "0"
3. CONTACT NO.: 36,50			
4. CONTACT TYPE: M: Male F: Female			

1

C0715-50FMSL00R**CENTRONIC COMMUNICATION TYPE 50F METAL COVER BLUE INSULATOR SELECTIVE****Material & finish****SHELL:**

Steel
Zinc plated, Tin plated
or Nickel plated steel

PIN CONTACT:

Phosphor bronze or brass
Gold plated

INSULATOR:

PBT & Glass-fibre reinforced
UL 94V-0

CURRENT RATING:

5 Amp

DIELECTRIC STRENGTH:

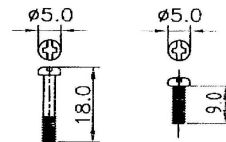
1000V for one minute

INSULATOR RESISTANCE:

1000M Ω Min. (at 500V DC)

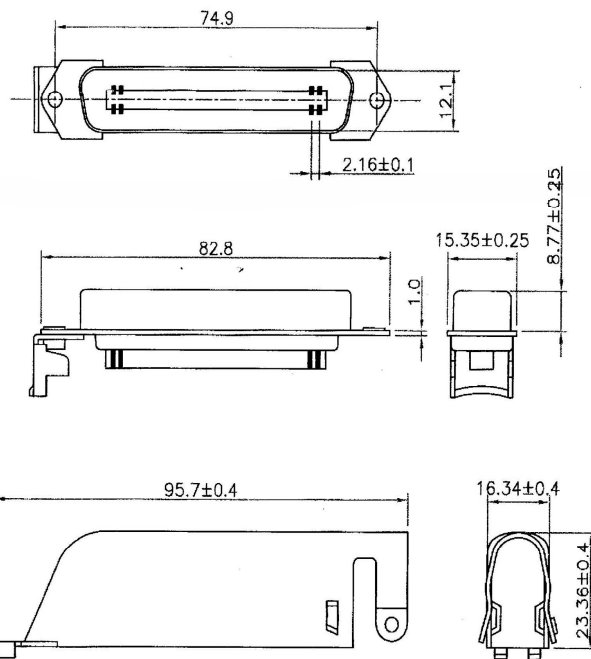
TEMPERATURE:

-55°C to +105°C



ELECTRONIC
COMPONENTS

2

C0715-50MMSL00R**CENTRONIC COMMUNICATION TYPE 50M METAL COVER SELECTIVE****Material & finish****SHELL:**

Steel
Zinc plated, Tin plated
or Nickel plated steel

PIN CONTACT:

Phosphor bronze or brass
Gold plated

INSULATOR:

PBT & Glass-fibre reinforced
UL-94-V0

CURRENT RATING:

5 Amp

DIELECTRIC STRENGTH:

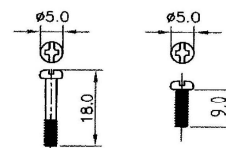
1000V for one minute

INSULATOR RESISTANCE:

1000M Ω Min. (at 500V DC)

TEMPERATURE:

-55°C to +105°C



ELECTRONIC
COMPONENTS