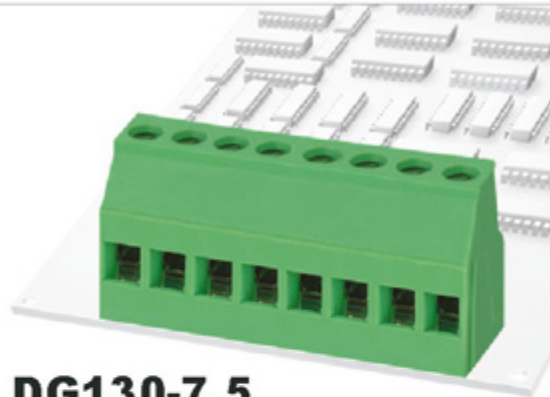


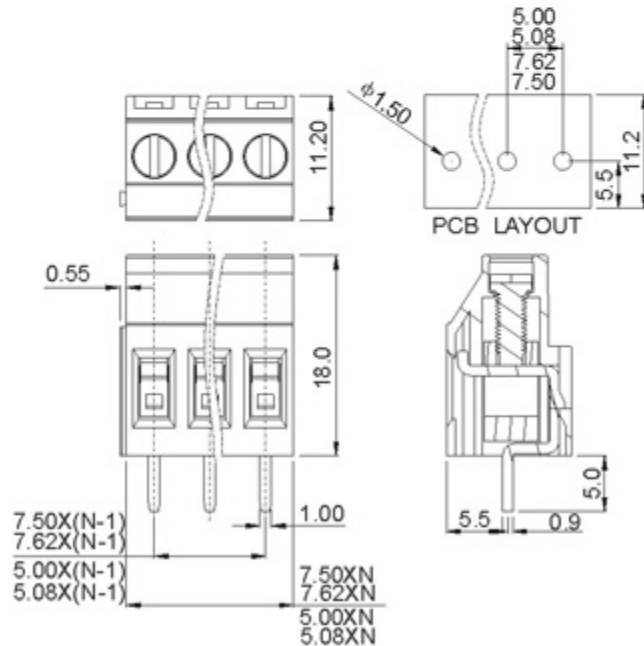


# DEGSON ELECTRONICS CO., LTD.

## Product Specification



**DG130-5.0 DG130-7.5**  
**DG130-5.08 DG130-7.62**



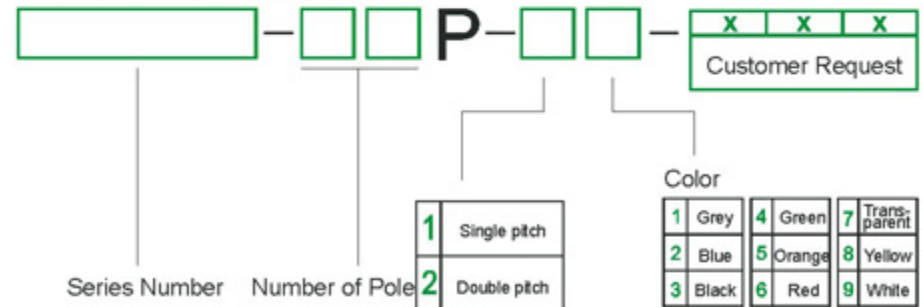
<b>Approval</b>		
<b>Electrical</b>		
Standard	UL	IEC
Rated voltage	300V	250V, 450V
Rated current	20A	20A
Wire range	26-12AWG	0.5-2.5mm <sup>2</sup>
With standing voltage	AC2000V/1Min	

<b>Mechanical</b>		
Torque	0.5Nm(4.4Lb-In.)	
Ambient temperature	-40°C~+105°C	
Strip length	7mm	

<b>Dimensions</b>		
Pitch	5.0mm(.197") 5.08mm(.200") 7.5mm(.295") 7.62mm(.300")	
Poles	2P, 3P-24P	

<b>Material</b>		
Housing	PA66, UL94V-0	
Screws	M3, steel, Cr <sup>3+</sup> Zn plated	
Pin header	Brass, Tin plated	
Cage	Brass, Ni plated	

### HOW TO ORDER



MM (IN CH)		DEGSON ELECTRONICS CO., LTD.
	NAME	<b>DG130-5.0 DG130-7.5</b> <b>DG130-5.08 DG130-7.62</b>