



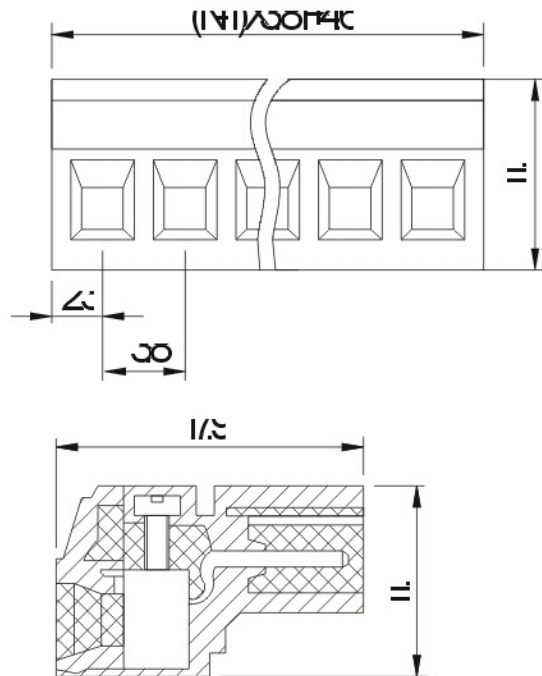
# DEGSON ELECTRONICS CO., LTD.

## Product Specification

UL CE



**15EDGKR-3.81**

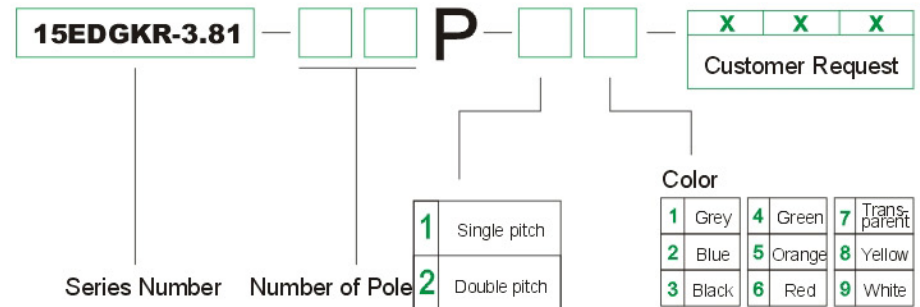


Approval	UL	CE
Electrical		
Standard	UL	IEC
Rated voltage	300V	250V
Rated current	8A	7A
Wire range	28-16AWG	0.5-1.5mm <sup>2</sup>
With standing voltage	AC2000V/1Min	

Mechanical	
Torque	0.2Nm(1.7Lb-In.)
Ambient temperature	-40°C~+105°C
Strip length	7mm
Dimensions	
Pitch	3.81mm(.150")
Poles	2P-24P

Material	
Housing	PA66, UL94V-0
Screws	M2, steel, Cr <sup>3+</sup> Znplated
Contact	Copper
Cage	Brass, Ni plated

### HOW TO ORDER



MM (INCH)	DEGSON ELECTRONICS CO., LTD.
THIRD ANGLE PROJECTION	NAME <b>15EDGKR-3.81</b>