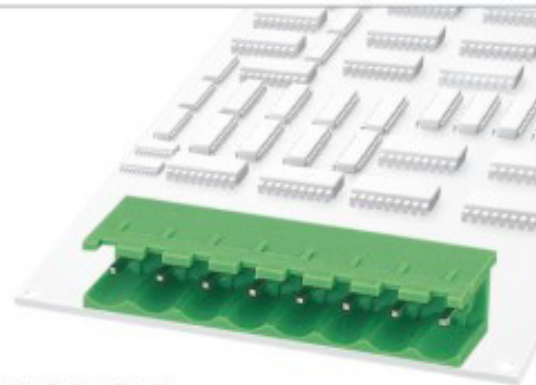


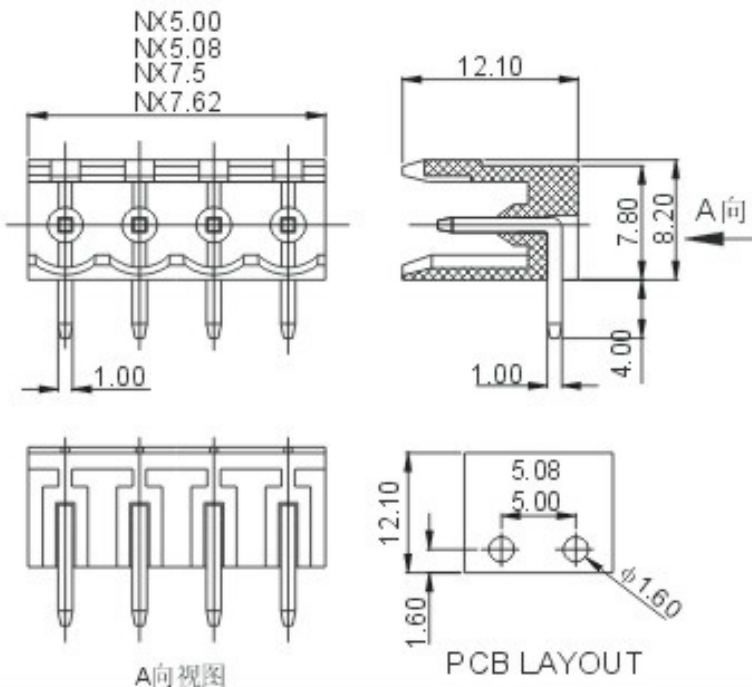


DEGSON ELECTRONICS CO., LTD.

Product Specification

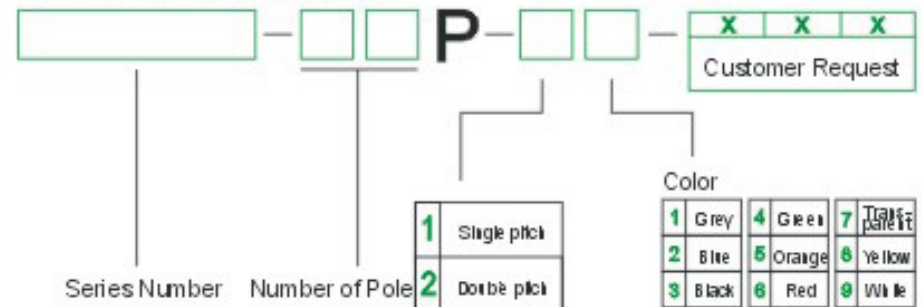


2EDGR-5.0 2EDGR-7.5
2EDGR-5.08 2EDGR-7.62



Approval		
Electrical		
Standard	UL	IEC
Rated voltage	300V	320V,400V
Rated current	15A	20A
With standing voltage	AC 2500V/1 Min	
Mechanical		
Ambient temperature	-40°C~+105°C	
Dimensions		
Pitch	5.0mm (.197") 5.08mm (.200") 7.5mm (.295") 7.62mm (.300")	
Poles	2P -22P	2P -12P
Material		
Housing	PA66, UL94V-0	
Pin header	Brass, Tin plated	

HOW TO ORDER



		DEGSON ELECTRONICS CO., LTD.
	NAME	2EDGR-5.0 2EDGR-7.5 2EDGR-5.08 2EDGR-7.62