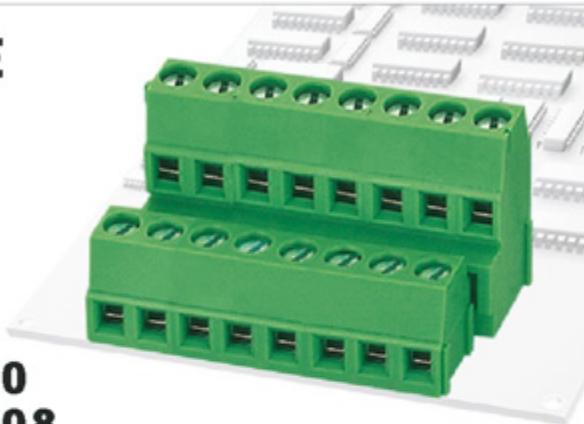


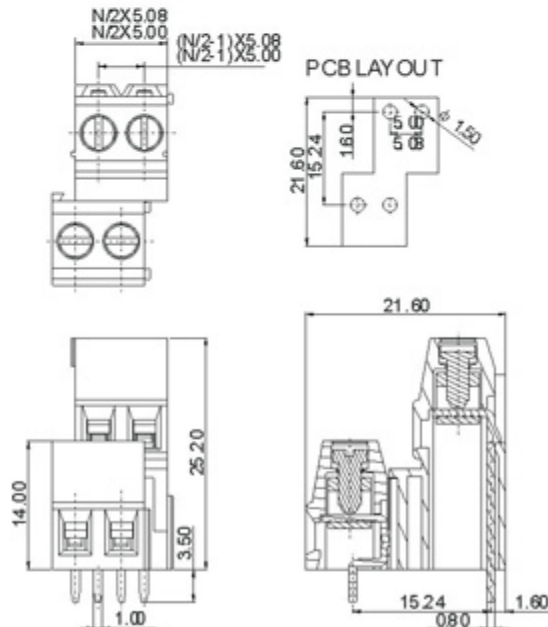


DEGSON ELECTRONICS CO., LTD.

Product Specification



DG500B-5.0
DG500B-5.08

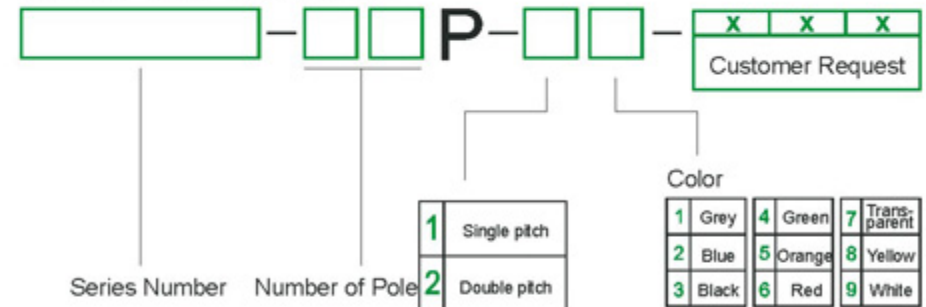


| | | |
|-----------------------|--------------|--------------------|
| Approval | | |
| Electrical | | |
| Standard | UL | IEC |
| Rated voltage | 300V | 250V |
| Rated current | 10A | 18A |
| Wire range | 24-12AWG | 2.5mm ² |
| With standing voltage | AC2000V/1Min | |

| | |
|---------------------|----------------------------|
| Mechanical | |
| Torque | 0.4Nm(3.5Lb-In.) |
| Ambient temperature | -40°C~+105°C |
| Strip length | 7mm |
| Dimensions | |
| Pitch | 5.0mm(.197")/5.08mm(.200") |
| Poles | 2*(2P,3P-24P) |

| | |
|-----------------|---|
| Material | |
| Housing | PA66, UL94V-0 |
| Screws | M2.5, steel, Cr ³⁺ Zn plated |
| Pin header | Brass, Tin plated |
| Cage | Brass, Ni plated |

HOW TO ORDER



| | |
|--|--|
| | DEGSON ELECTRONICS CO., LTD. |
| | NAME DG500B-5.0 DG500B-5.08 |