



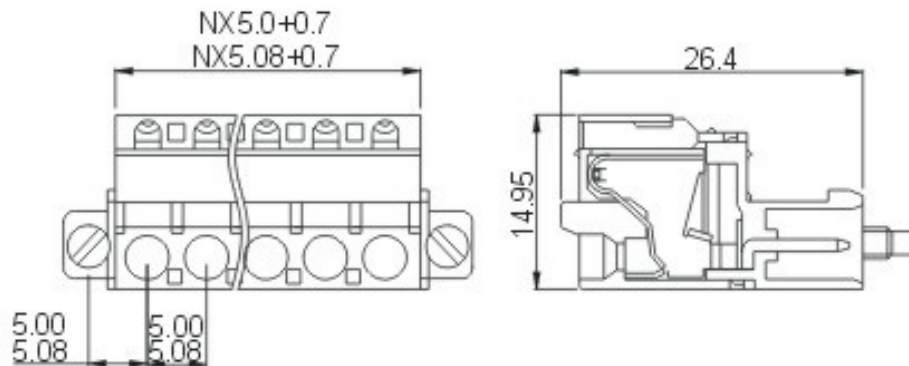
DEGSON ELECTRONICS CO., LTD.

Product Specification

CE



2EDGKDRWM-5.0
2EDGKDRWM-5.08



Approval

Electrical

Standard	UL	IEC
Rated voltage	300V	320V
Rated current	10A	20A
Wire range	26-12AWG	2.5mm ²
With standing voltage	AC2500V/1Min	

Mechanical

Ambient temperature	-40°C~+105°C
Strip length	10mm

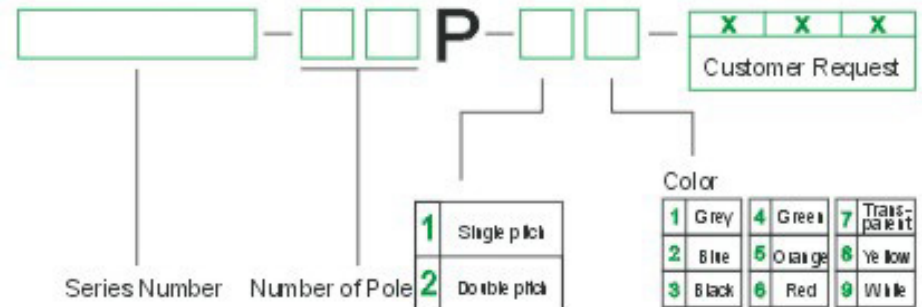
Dimensions

Pitch	5.0mm (.197") 5.08mm (.200")
Poles	2P-16P

Material

Housing	PA66, UL94V-0
Contact	Phosphor bronze
Wire guard	Stainless steel

HOW TO ORDER



DEGSON ELECTRONICS CO., LTD.

NAME

2EDGKDRWM-5.0
2EDGKDRWM-5.08