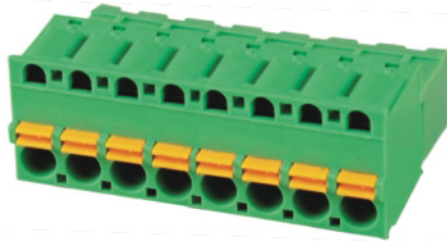




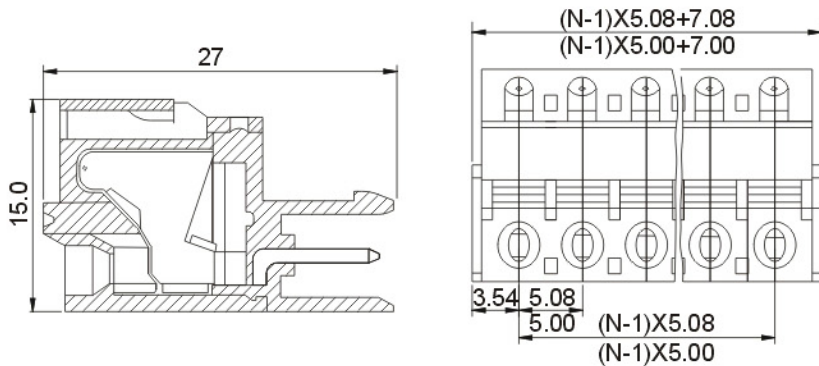
DEGSON ELECTRONICS CO., LTD.

Product Specification

CE



2EDGKDR-5.0
2EDGKDR-5.08



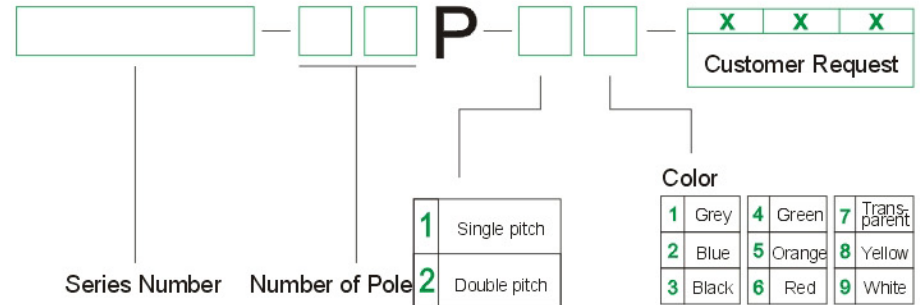
| | | |
|-----------------------|--------------|--------------------|
| Approval | CE | |
| Electrical | | |
| Standard | UL | IEC |
| Rated voltage | 300V | 320V |
| Rated current | 10A | 20A |
| Wire range | 26-12AWG | 2.5mm ² |
| With standing voltage | AC2500V/1Min | |

| | | |
|---------------------|--------------|--|
| Mechanical | | |
| Ambient temperature | -40°C~+105°C | |
| Strip length | 10mm | |

| | | |
|-------------------|----------------------------|--|
| Dimensions | | |
| Pitch | 5.0mm(.197")/5.08mm(.200") | |
| Poles | 2P-18P | |

| | | |
|-----------------|-----------------|--|
| Material | | |
| Housing | PA66, UL94V-0 | |
| Contact | Phosphor bronze | |
| Wire guard | Stainless steel | |

HOW TO ORDER



| | |
|--|--|
| | DEGSON ELECTRONICS CO., LTD. |
| | NAME 2EDGKDR-5.0 2EDGKDR-5.08 |