

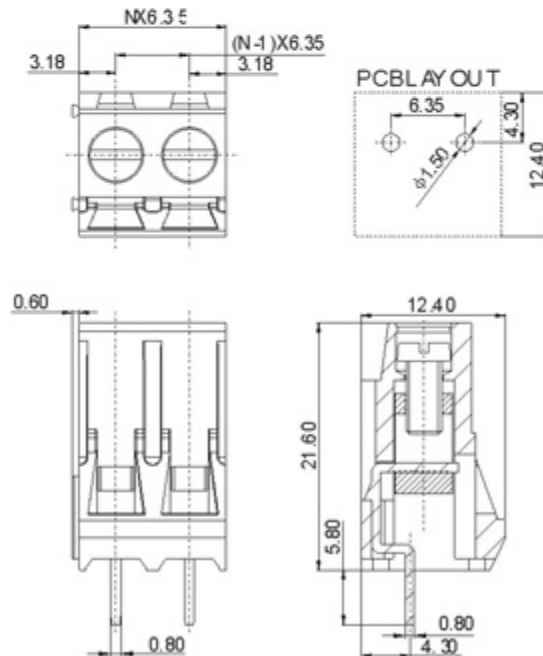


DEGSON ELECTRONICS CO., LTD.

Product Specification



DG635-6.35

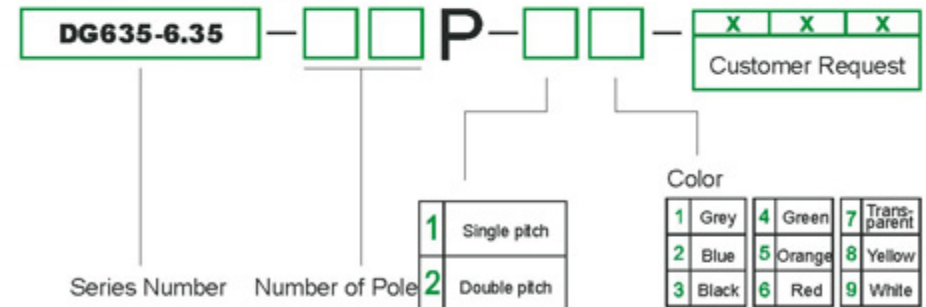


Approval		
Electrical		
Standard	UL	IEC
Rated voltage	300V	450V
Rated current	30A	32A
Wire range	26-10AWG	4.0mm ²
With standing voltage	AC2500V/1Min	

Mechanical	
Torque	0.5Nm(4.4Lb-In.)
Ambient temperature	-40°C~+105°C
Strip length	8-9mm
Dimensions	
Pitch	6.35mm(.250")
Poles	2P,3P-24P

Material	
Housing	PA66, UL94V-0
Screws	M3, steel, Cr ³⁺ Zn plated
Pin header	Copper, Tin plated
Cage	Brass, Ni plated

HOW TO ORDER



	DEGSON ELECTRONICS CO., LTD.
	NAME DG635-6.35