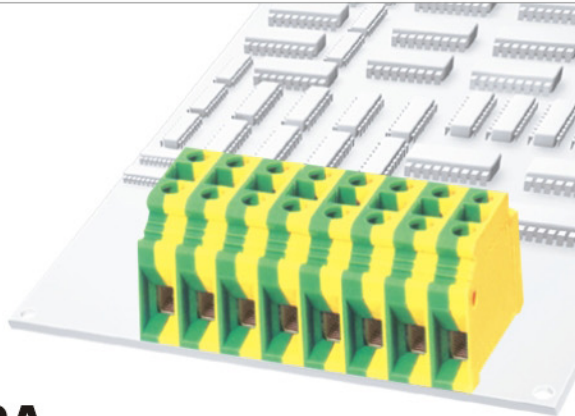




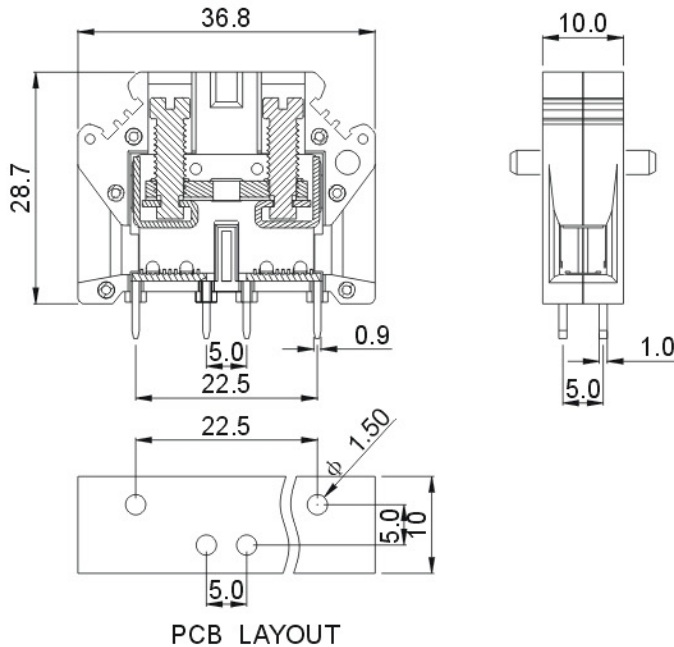
DEGSON ELECTRONICS CO., LTD.

Product Specification

CE

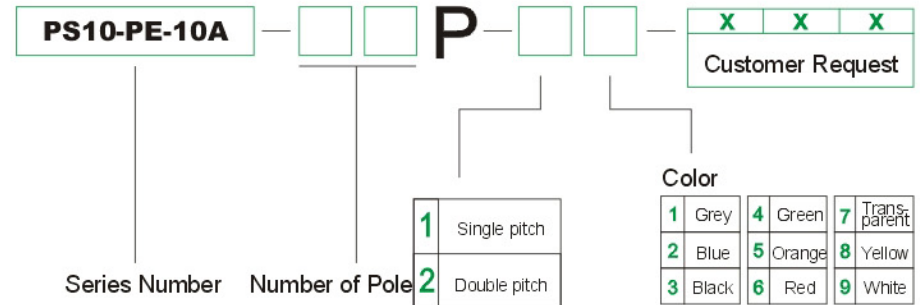


PS10-PE-10A



Approval	CE	
Electrical		
Standard	UL	IEC
Wire range	20-6AWG	10.0mm ²
With standing voltage	AC2000V/1Min	
Mechanical		
Torque	1.2Nm(10.5Lb-In.)	
Ambient temperature	-40°C~+105°C	
Strip length	12mm	
Dimensions		
Pitch	10.0mm(.394")	
Poles	1P-XXP	
Material		
Housing	PA66, UL94V-0	
Screws	M4, steel, Cr ³⁺ Zn plated	
Pin header	Brass, Tin plated	

HOW TO ORDER



	DEGSON ELECTRONICS CO., LTD.
	NAME PS10-PE-10A