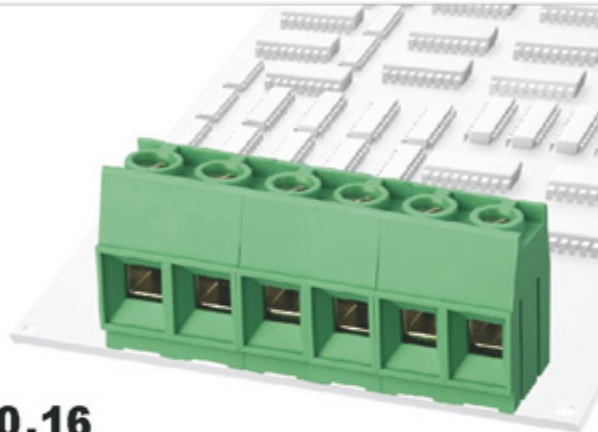




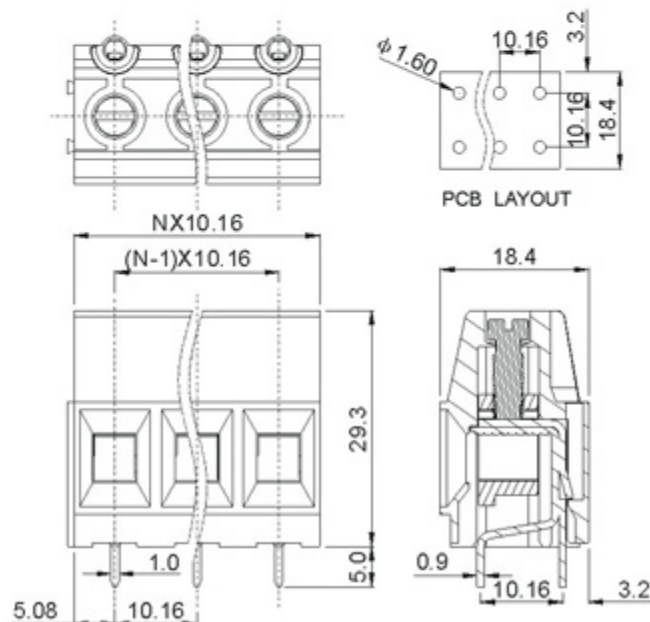
DEGSON ELECTRONICS CO., LTD.

Product Specification

CE



DG136T-10.16

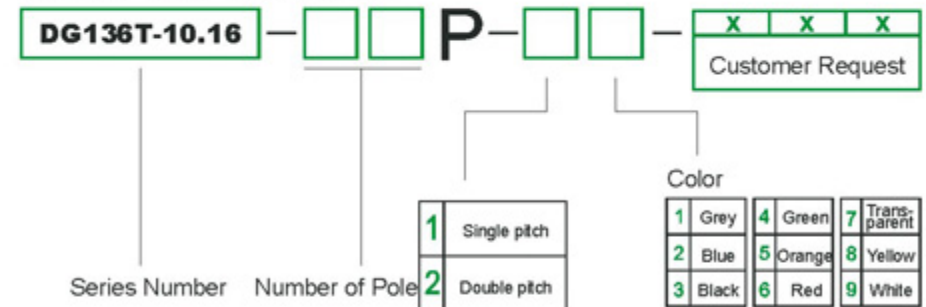


| | | |
|-----------------------|--------------|-------------------------|
| Approval | CE | |
| Electrical | | |
| Standard | UL | IEC |
| Rated voltage | 600V | 750V |
| Rated current | 50A | 57A |
| Wire range | 20-6AWG | 2.5-16.0mm ² |
| With standing voltage | AC3000V/1Min | |

| | | |
|---------------------|-------------------|--|
| Mechanical | | |
| Torque | 1.2Nm(10.5Lb-In.) | |
| Ambient temperature | -40°C~+105°C | |
| Strip length | 10mm | |
| Dimensions | | |
| Pitch | 10.16mm(.400") | |
| Poles | 2P,3P-24P | |

| | | |
|-----------------|----------------------|--|
| Material | | |
| Housing | PA66, UL94V-0 | |
| Screws | M4, Brass, Ni plated | |
| Pin header | Copper, Tin plated | |
| Cage | Brass, Ni plated | |

HOW TO ORDER



| | |
|--|-------------------------------------|
| | DEGSON ELECTRONICS CO., LTD. |
| | NAME DG136T-10.16 |