

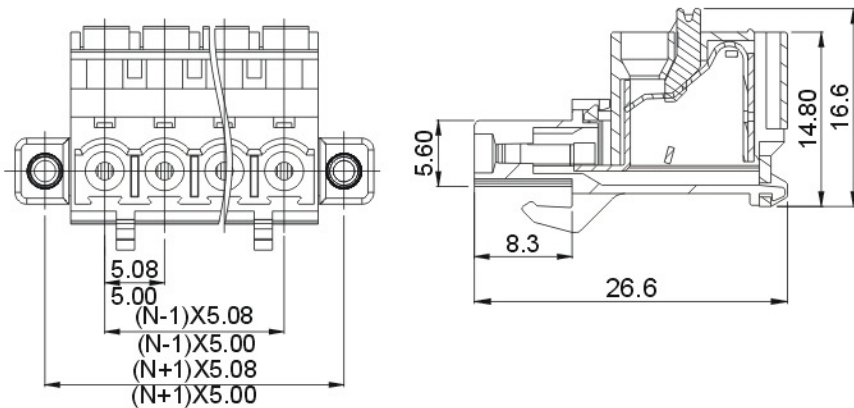


DEGSON ELECTRONICS CO., LTD.

Product Specification



2EDGKDBM-5.0
2EDGKDBM-5.08



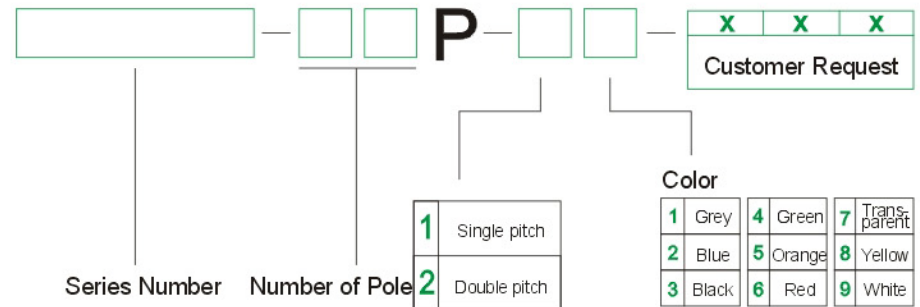
Approval		
Electrical		
Standard	UL	IEC
Rated voltage	300V	320V
Rated current	10A	20A
Wire range	26-12AWG	2.5mm ²
With standing voltage	AC2500V/1Min	

Mechanical	
Ambient temperature	-40°C~+105°C
Strip length	10mm

Dimensions	
Pitch	5.0mm(.197") 5.08mm(.200")
Poles	2P-16P

Material	
Housing	PA66, UL94V-0
Contact	Phosphor bronze
Wire guard	Stainless steel

HOW TO ORDER



	DEGSON ELECTRONICS CO., LTD.
	NAME 2EDGKDBM-5.0 2EDGKDBM-5.08