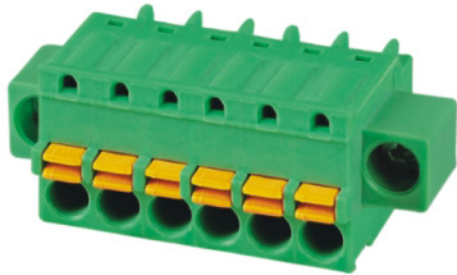




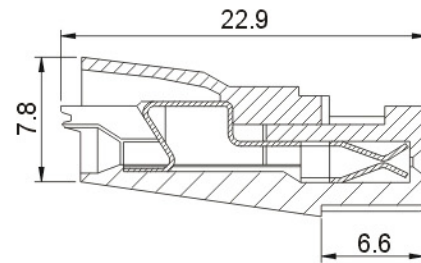
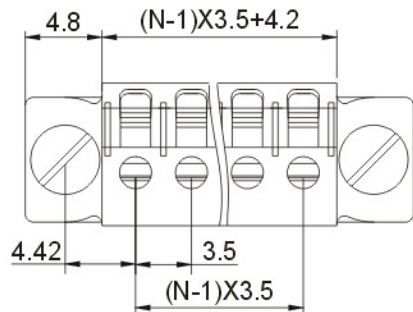
# DEGSON ELECTRONICS CO., LTD.

## Product Specification

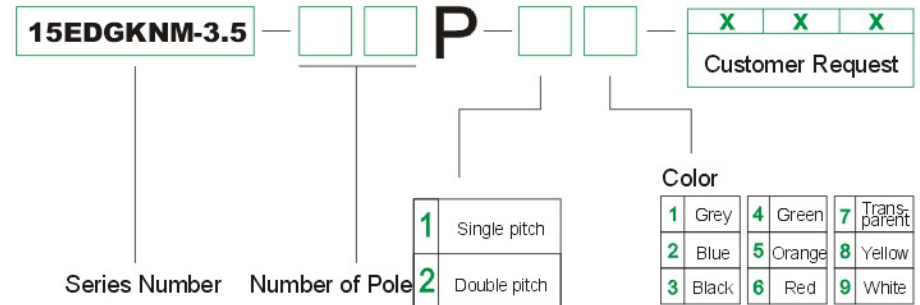


**15EDGKNM-3.5**

<b>Approval</b>		
<b>Electrical</b>		
Standard	UL	IEC
Rated voltage	300V	250V
Rated current	8A	7A
Wire range	28-16AWG	0.5-1.5mm <sup>2</sup>
With standing voltage	AC2000V/1Min	
<b>Mechanical</b>		
Ambient temperature	-40°C~+105°C	
Strip length	10mm	
<b>Dimensions</b>		
Pitch	3.5mm(.138")	
Poles	2P-20P	
<b>Material</b>		
Housing	PA66, UL94V-0	
Contact	Phosphor bronze	
Wire guard	Stainless steel	



### HOW TO ORDER



 MM (INCH)	 <b>DEGSON ELECTRONICS CO., LTD.</b>
 THIRD ANGLE PROJECTION	NAME <b>15EDGKNM-3.5</b>