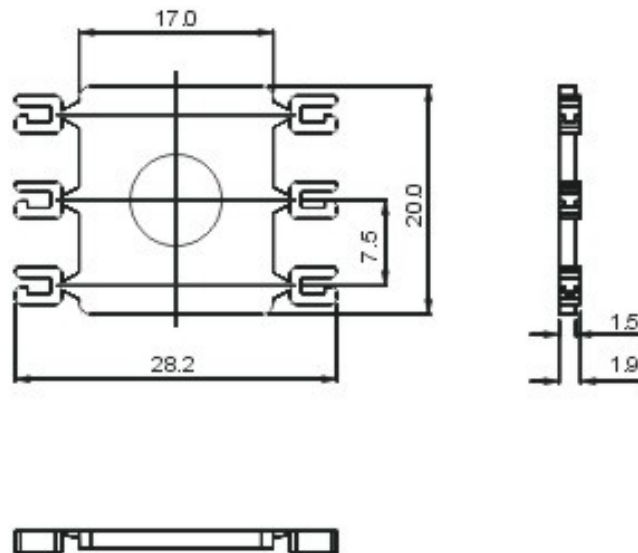
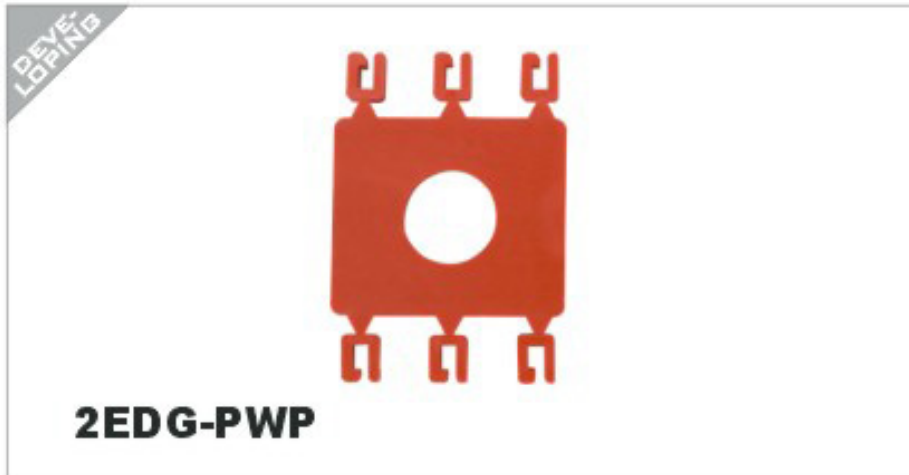




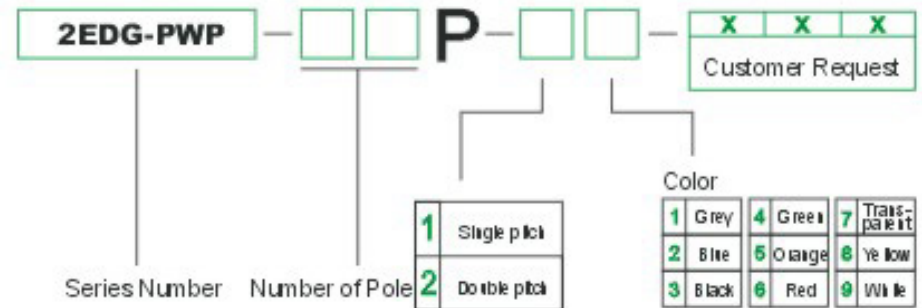
DEGSON ELECTRONICS CO., LTD.

Product Specification



Approval	
Mechanical	
Ambient temperature	-40°C~+105°C
Material	
Housing	PA66, UL94V-0

HOW TO ORDER



	 DEGSON ELECTRONICS CO., LTD.
	NAME 2EDG-PWP